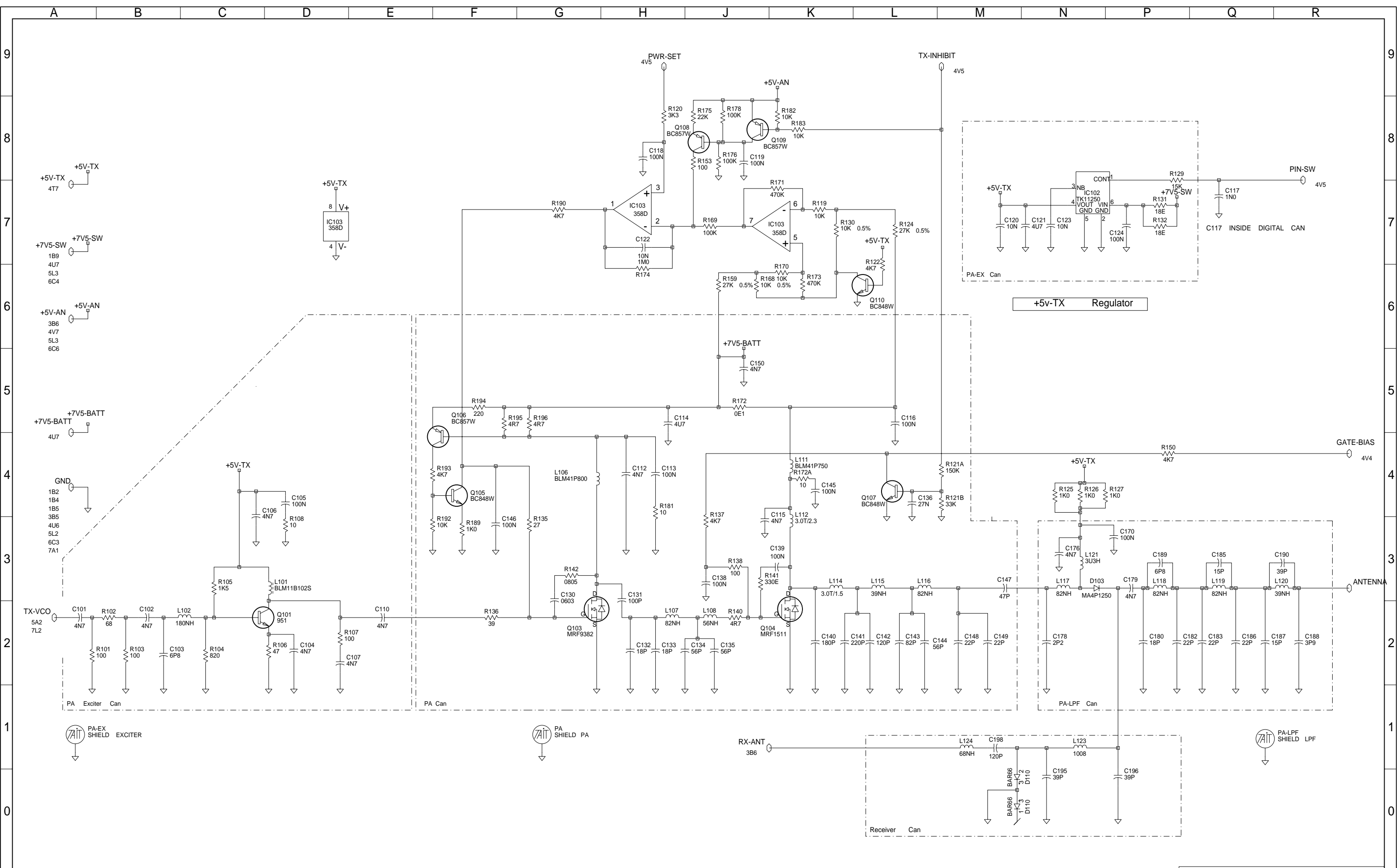


02B	CCO NO. 1616-004	BRD			05-11-99
02A	1616/002 VCO DOUBLER ADDED	BRD			06-10-99
01A	FIRST 66-88 MHZ	BRD			21-09-99
REV/ISS	AMENDMENTS	DRAWN	CHKD	D.O.	APVD DATE

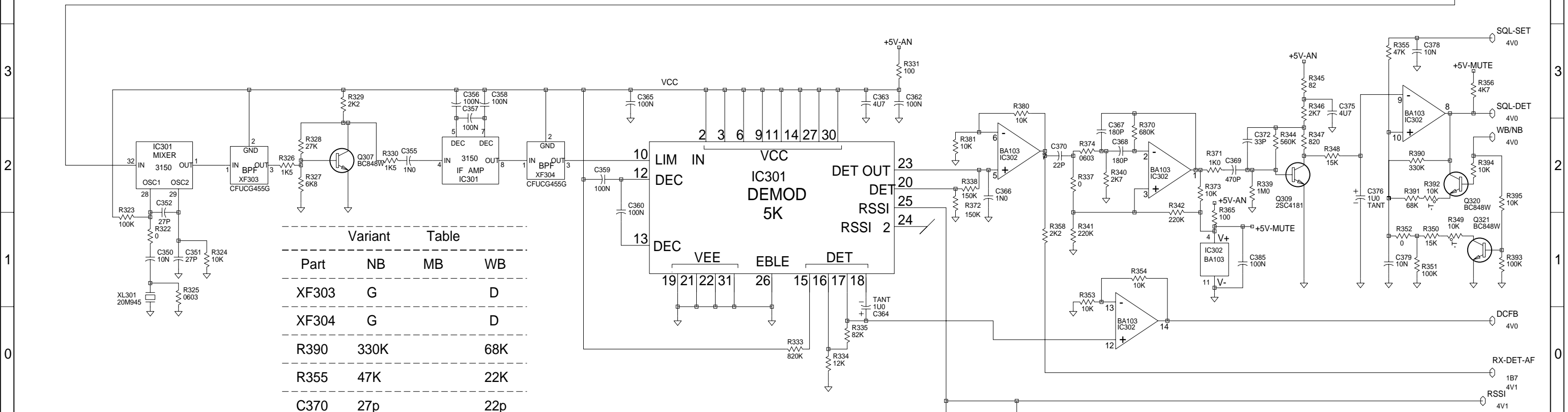
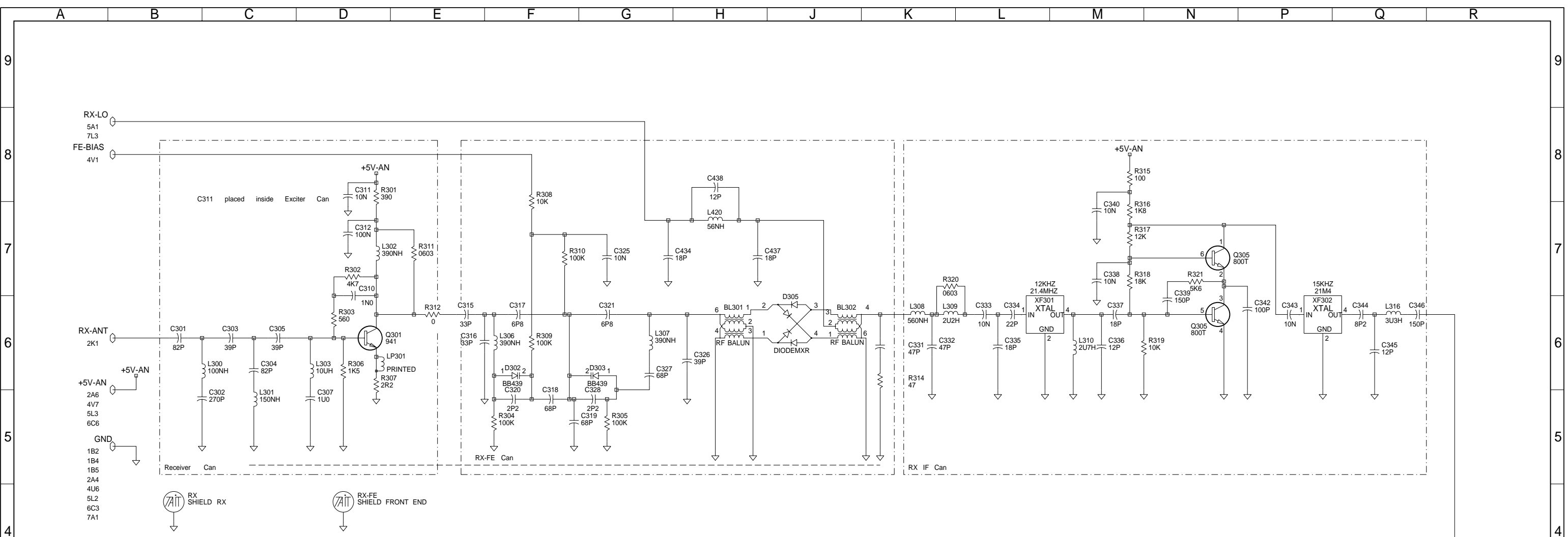
SUB-VHF
Tait Orca

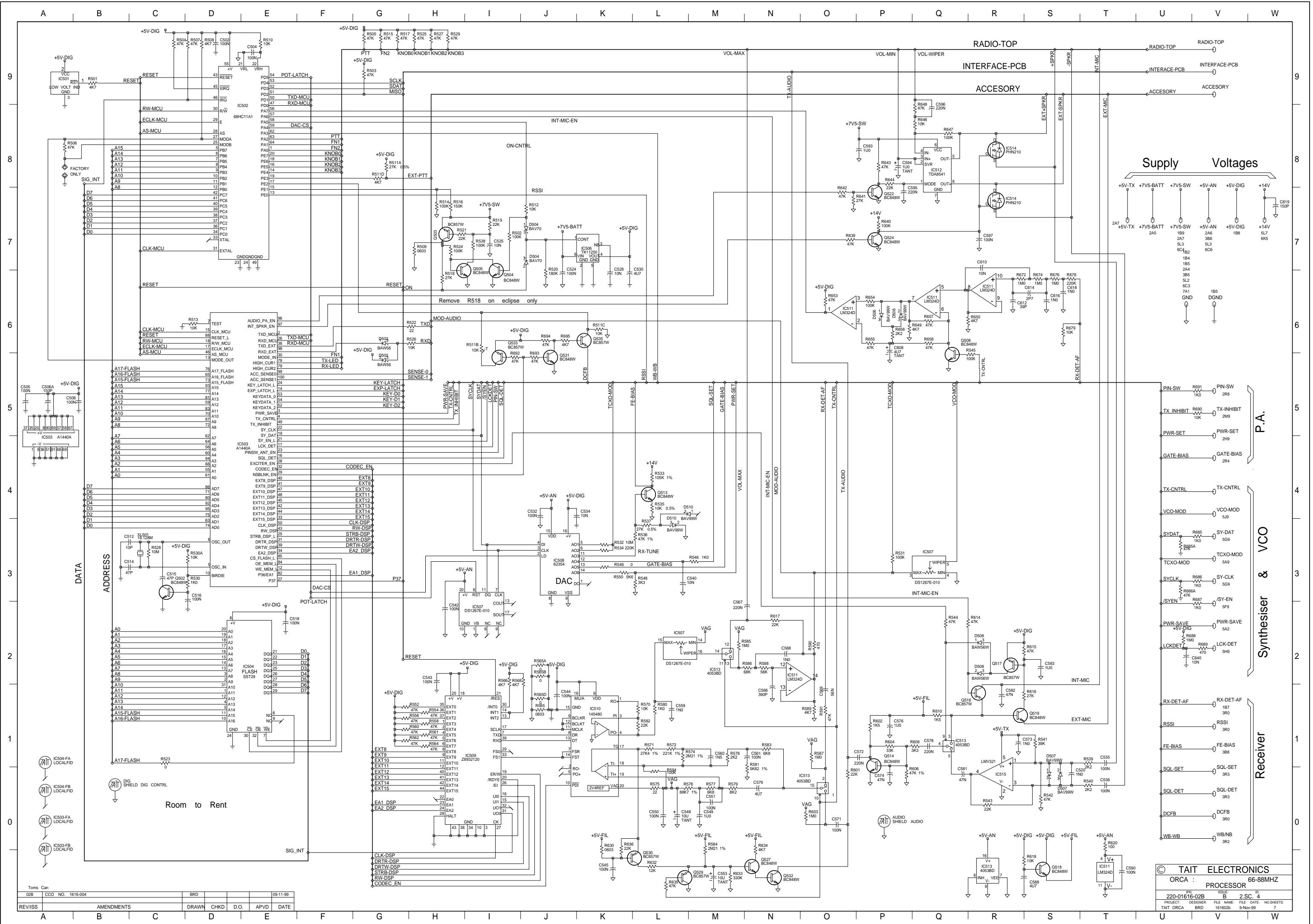
© TAIT ELECTRONICS	
ORCA :	66-88MHZ
SYSTEM DIAGRAM	
IPN: 220-01616-02B	ISSUE: B 2.S.C. 1
PROJECT: TAIT ORCA BRD	DESIGNER: FILE NAME: 161602b
	DATE: 9-Nov-99
	NO.SHEETS: 7



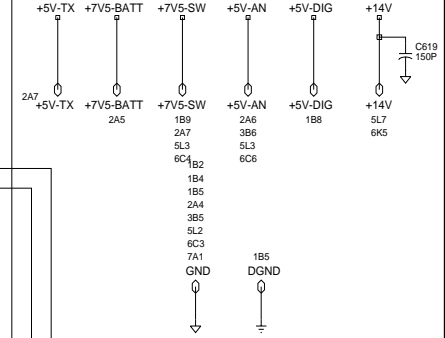
© TAIT ELECTRONICS
 ORCA : 66-88MHZ POWER AMPLIFIER
 IPN: B ISSUE: ID:
 220-01616-02B 2.SC. 2
 PROJECT: DESIGNER: FILE NAME: FILE DATE: NO.SHEETS:
 TAIT ORCA BRD 161602b 9-Nov-99 7

02B	CCO NO. 1616-004	BRD			05-11-99
REV/ISS	AMENDMENTS	DRAWN	CHKD	D.O.	APVD DATE

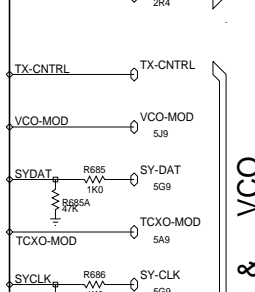




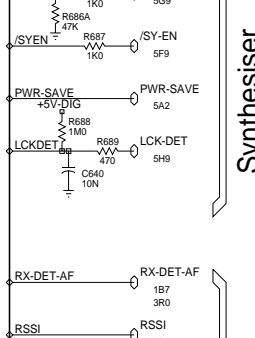
Supply Voltages



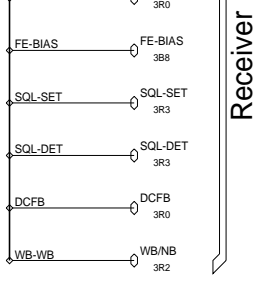
P.A.



Synthesiser & VCO

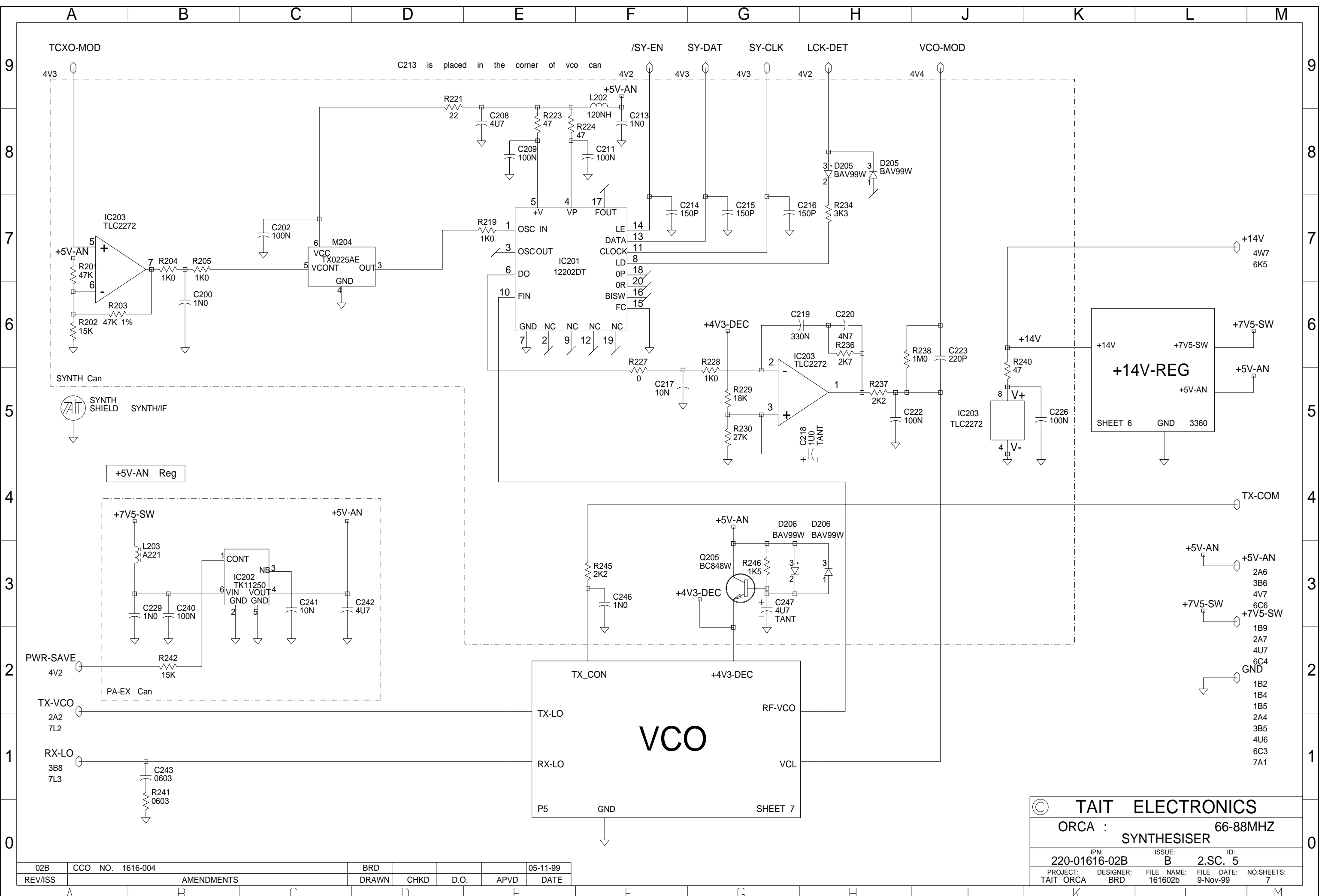


Receiver



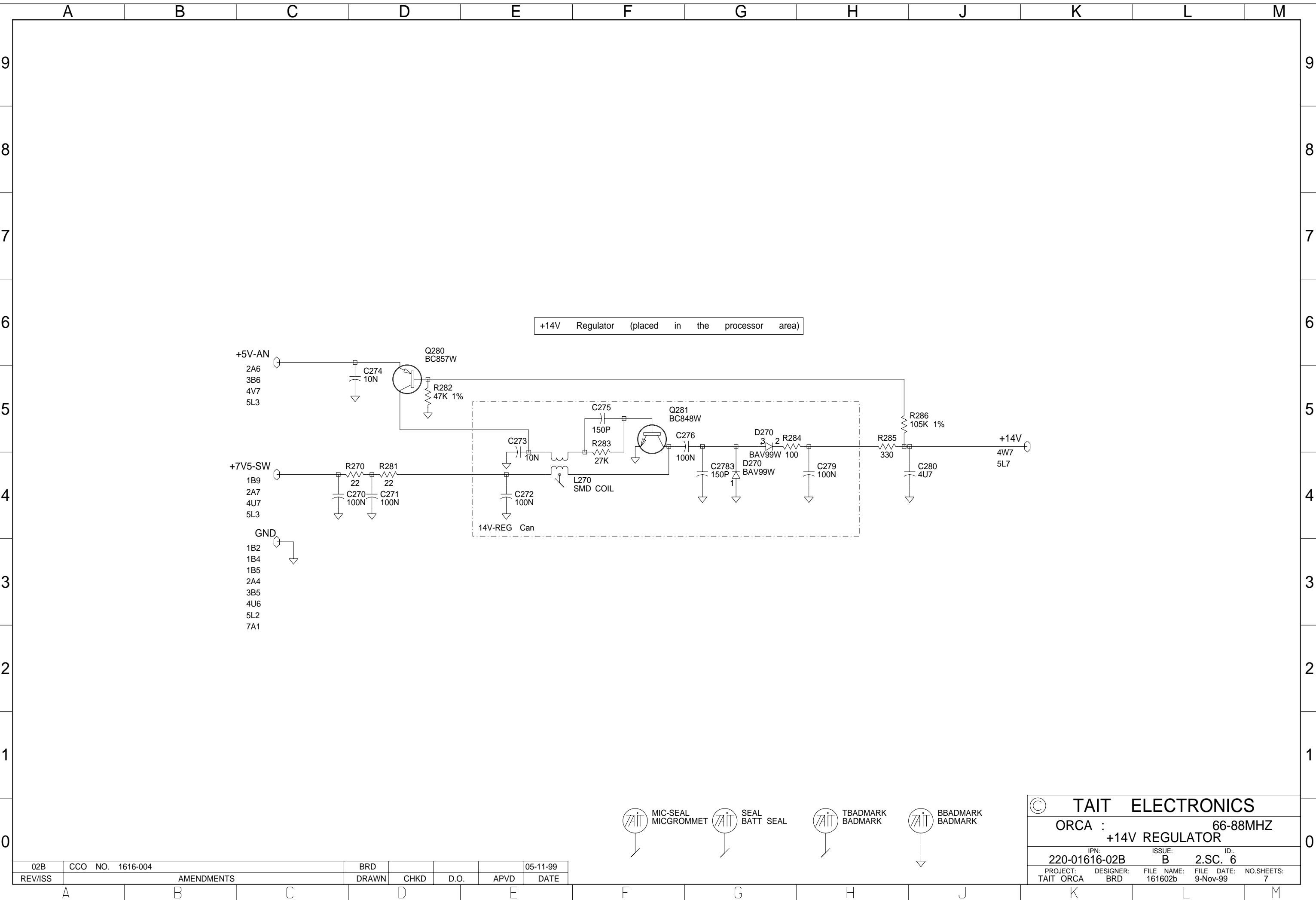
Toms Can	CCO NO. 1616-004	BRD	09-11-99
REV/ISS	AMENDMENTS	DRAWN	CHKD
		D.O.	APVD
			DATE

© TAIT ELECTRONICS			
ORCA :	PROCESSOR	66-88MHZ	
220-01616-02B	B	2-SC	4
PROJECT	DESIGNER	FILE NAME	FILE DATE
TAIT ORCA	BRD	161602b	9-Nov-99
		NO SHEETS	7

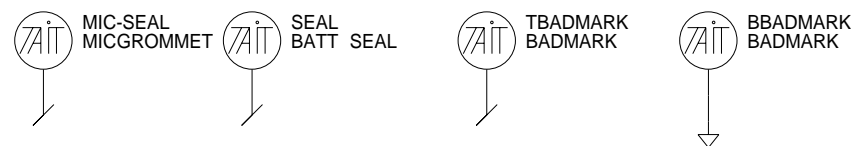
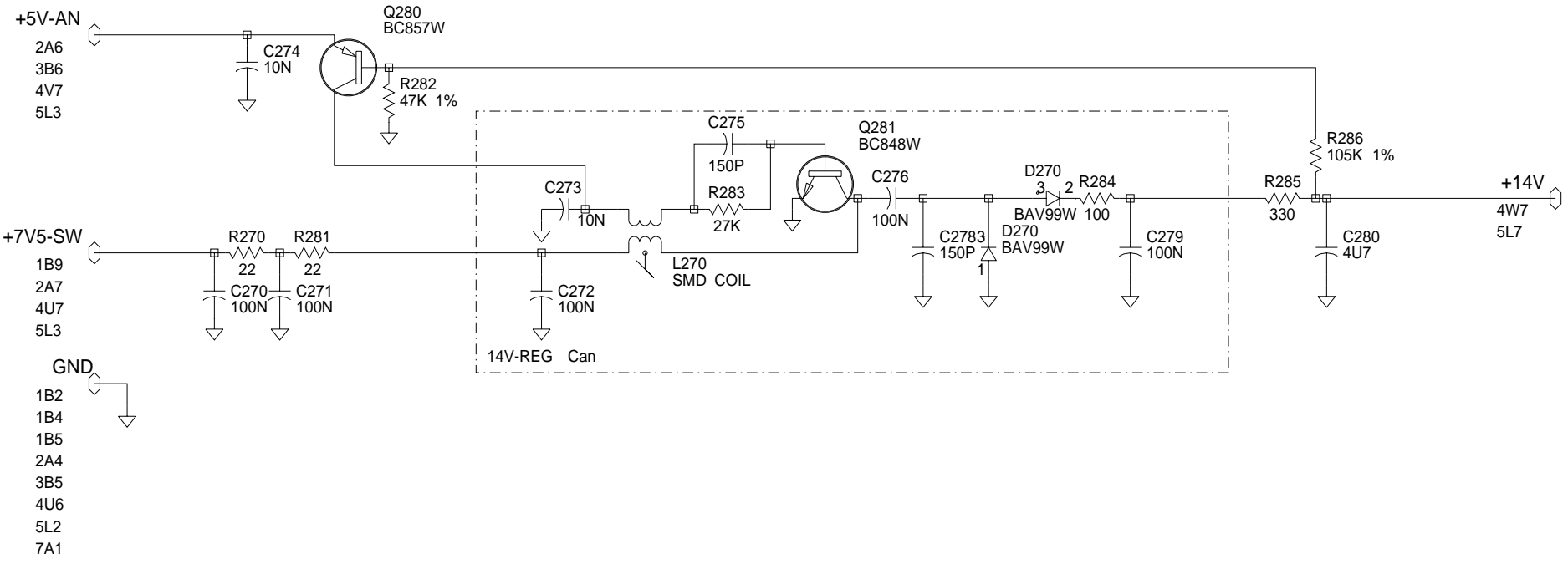


02B	CCO NO. 1616-004	BRD	CHKD	D.O.	APVD	05-11-99
REV/ISS	AMENDMENTS	DRAWN				DATE

© TAIT ELECTRONICS	
ORCA :	66-88MHZ
SYNTHESISER	
IPN:	ID:
220-01616-02B	B
ISSUE:	2.SC. 5
PROJECT:	DESIGNER:
TAIT ORCA	BRD
FILE NAME:	FILE DATE:
161602b	9-Nov-99
NO.SHEETS:	
7	

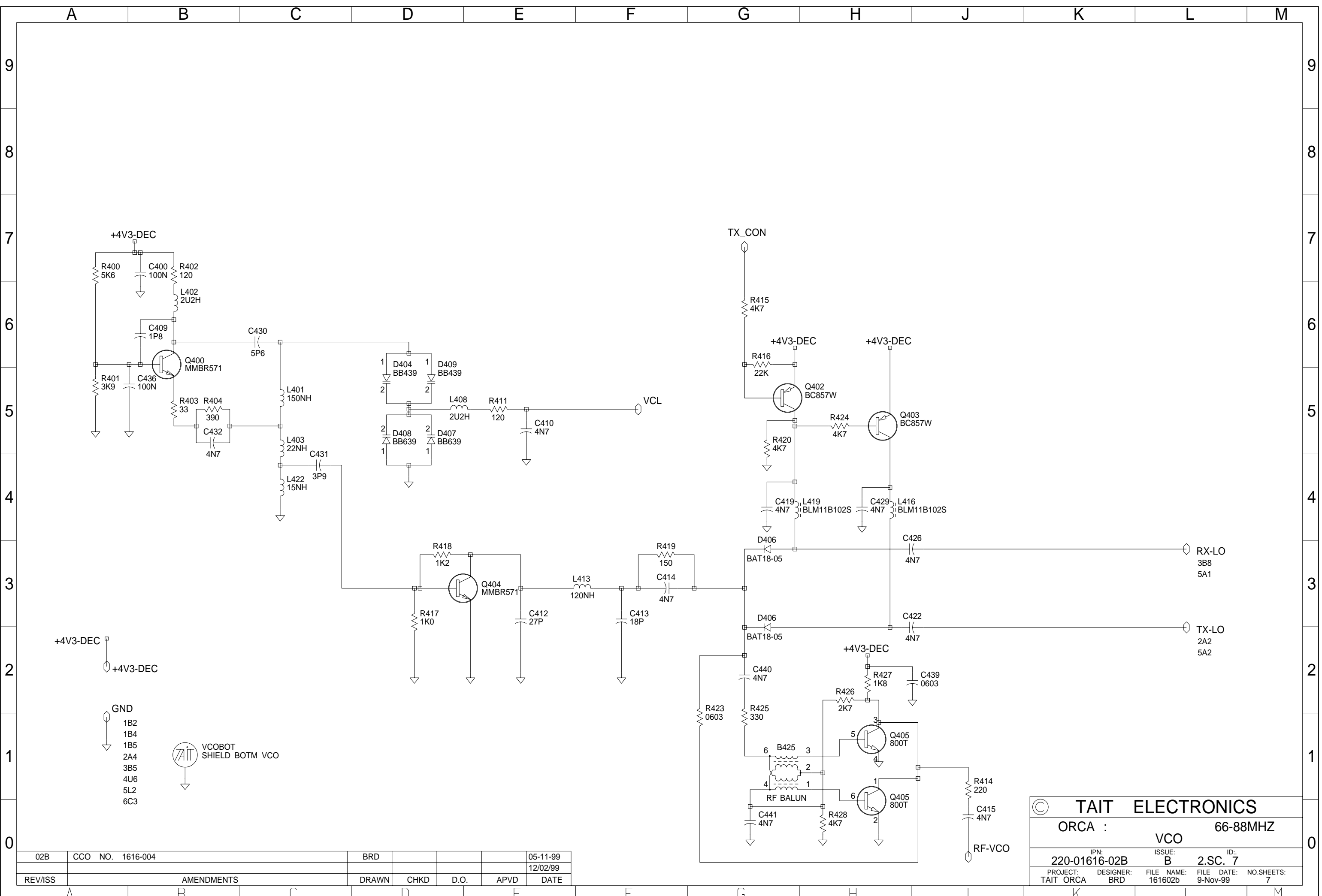


+14V Regulator (placed in the processor area)



© TAIT ELECTRONICS	
ORCA :	66-88MHZ
+14V REGULATOR	
IPN:	ID:
220-01616-02B	B 2.SC. 6
PROJECT:	DESIGNER:
TAIT ORCA	BRD
FILE NAME:	FILE DATE:
161602b	9-Nov-99
NO.SHEETS:	
7	

02B	CCO NO. 1616-004	BRD				05-11-99
REV/ISS	AMENDMENTS	DRAWN	CHKD	D.O.	APVD	DATE



+4V3-DEC
+4V3-DEC

GND
1B2
1B4
1B5
2A4
3B5
4U6
5L2
6C3

VCOBOT SHIELD BOTM VCO

02B	CCO NO. 1616-004	BRD			05-11-99
REV/ISS	AMENDMENTS	DRAWN	CHKD	D.O.	APVD DATE

© TAIT ELECTRONICS	
ORCA :	66-88MHZ
VCO	
IPN: 220-01616-02B	ISSUE: B
ID: 2.SC. 7	
PROJECT: TAIT ORCA	DESIGNER: BRD
FILE NAME: 161602b	FILE DATE: 9-Nov-99
NO.SHEETS: 7	